

User Guide

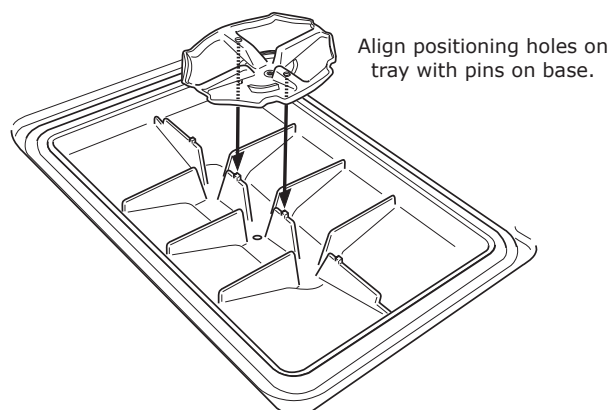
SNAP i.d.® 2.0 Antibody Collection Tray

Instructions for Use with the SNAP i.d.® 2.0 Protein Detection System

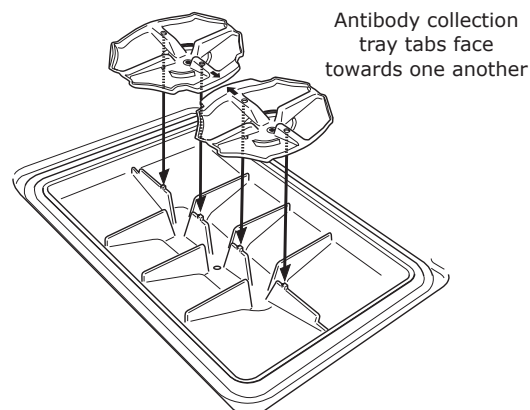
For research only. Not for use in diagnostic procedures.

Before using the SNAP i.d.® 2.0 Protein Detection System, please read the full-length user guide available at SigmaAldrich.com.

1. Perform steps 1 through 5 of the general protocol, but increase the vacuum time to 2 minutes to ensure that all the blocking solution has been removed from the grooves and channels of the frame.
2. Remove the blot holder frame from the base and wipe any residual liquid from the bottom of the frame with a paper towel.
3. Place the antibody collection tray(s) into the base, making sure that the positioning holes in the antibody collection tray line up with the positioning pins in the base.



SNAP i.d.® 2.0 Mini and Midi Frames



SNAP i.d.® 2.0 MultiBlot Frame

4. Place the blot holder frame back into position on the base.
5. Apply primary antibody and incubate as indicated in steps 6 and 7 of the general protocol.
6. After the 10-minute incubation, turn the vacuum on and wait one minute to ensure that all of the antibody has been collected.
NOTE: When processing two frames at the same time, apply vacuum first to one side, then to the other. This ensures full vacuum force on each frame and improves volume recovery.
7. Turn the vacuum off and remove the frame. Remove the antibody collection tray(s).
8. Transfer the antibody to a suitable container for storage or analysis.
9. Place the blot holder frame back into position and continue with step 9 of the general protocol.

Troubleshooting

Symptom	Possible Cause	Solution
Low antibody volume recovery	Antibody collection tray is not seated properly	Make sure that collection tray positioning holes are aligned with base positioning pins. When running the MultiBlot frame, make sure that collection tray tabs are facing each other. See images on reverse side for correct positioning.
	Inadequate vacuum	Make sure tubing connection between system and vacuum source is secure. Make sure vacuum flask is empty and that the in-line Millex®-FA filter has not gotten wet.
	Two frames processed simultaneously	Apply vacuum first to one frame, then to the other, to ensure full vacuum force on each frame.
	MultiBlot frame was used to process a single blot, and well blank card was not placed in empty well	When running a single blot in the MultiBlot frame, place well blank card in empty well.
High background and/or nonspecific binding	Reuse of blot holder	Blot holders are intended for single use. Do not reuse.
	Reuse of antibody collection tray	Antibody collection trays are intended for single use. Do not reuse.

Product Ordering

Purchase products online at SigmaAldrich.com/products

Description	Material of Construction	Cat. No.	Qty/Pk
Antibody Collection Tray	Styrene-butadiene copolymer	SNAPABTR	20

Notice

We provide information and advice to our customers on application technologies and regulatory matters to the best of our knowledge and ability, but without obligation or liability. Existing laws and regulations are to be observed in all cases by our customers. This also applies in respect to any rights of third parties. Our information and advice do not relieve our customers of their own responsibility for checking the suitability of our products for the envisaged purpose.

The information in this document is subject to change without notice and should not be construed as a commitment by the manufacturing or selling entity, or an affiliate. We assume no responsibility for any errors that may appear in this document.

Contact Information

For the location of the office nearest you, go to SigmaAldrich.com/offices.

Technical Assistance

Visit the tech service page on our web site at SigmaAldrich.com/techservice.

Standard Warranty

The applicable warranty for the products listed in this publication may be found at SigmaAldrich.com/terms.

MilliporeSigma, Millipore, SNAP i.d., Millex, and Sigma-Aldrich are trademarks of Merck KGaA, Darmstadt, Germany or its affiliates. All other trademarks are the property of their respective owners. Detailed information on trademarks is available via publicly accessible resources.
© 2019 Merck KGaA, Darmstadt, Germany and/or its affiliates. All Rights Reserved.

The life science business of Merck KGaA, Darmstadt, Germany operates as MilliporeSigma in the U.S. and Canada.