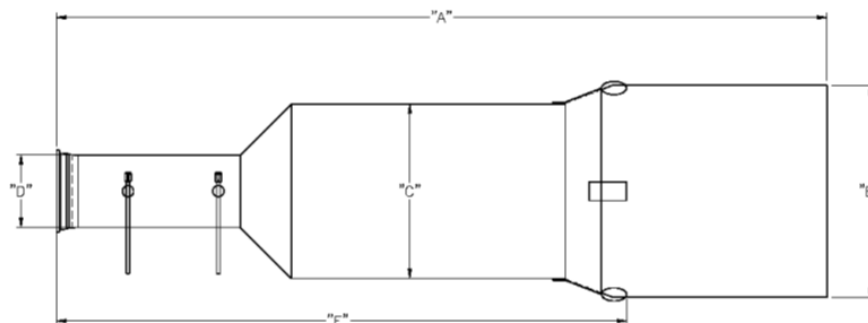


# EZ BioPac® Bag Schematic



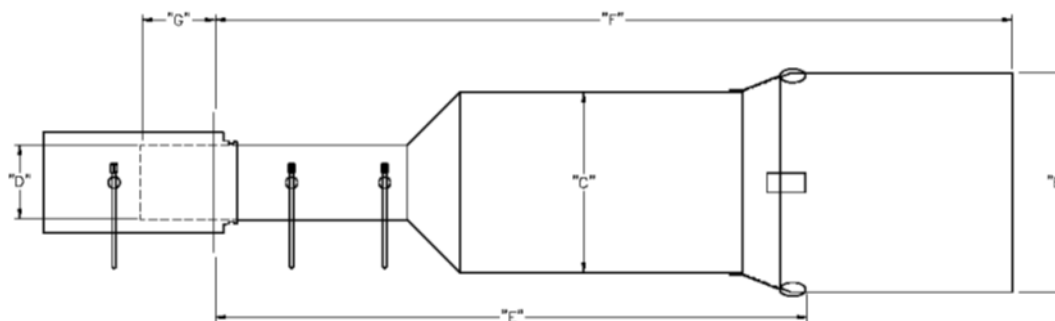
## SANITARY FLANGE



### EZ BioPac® Sanitary Flange

Description	"A"	"B"	"C"	"D"	"E"	Typical Range
EZ BioPac®, 40 L, WELOC NECK, 4 IN SANITARY N/G, BOX	58"	Ø20"	Ø14-Ø20"	Ø3-3/4"	43-3/4"	5-15 kg
EZ BioPac®, 14 GAL, V-FOLD NECK, 6 IN	61-3/4"	Ø17"	Ø14"	Ø5-3/4"	50-1/4"	10-25 kg
EZ BioPac®, 30 GAL, V-FOLD NECK, 6 IN	68-3/4"	Ø23"	Ø17"	Ø5-3/4"	57-1/4"	20-50 kg
EZ BioPac®, 47 GAL, V-FOLD NECK, 6 IN	68-3/4"	Ø26"	Ø20"	Ø5-3/4"	57-1/4"	40-100 kg
EZ BioPac®, 47 GAL, V-FOLD NECK, 8 IN	75"	Ø26"	Ø20"	Ø7-3/4"	57 3/4"	40-100 kg

## STRETCH NECK



### EZ BioPac® Stretch Neck

Description	"B"	"C"	"D"	"E"	"F"	"G"	Typical Range
EZ BioPac®, 40 L, WELOC NECK, 4 IN SANITARY, BOX, STRETCH	Ø20"	Ø14-Ø20"	Ø3-3/4"	37-1/2"	51-3/4"	5-3/4"	5-15 kg
EZ BioPac®, 14 GAL, V-FOLD NECK, 6 IN, STRETCH	Ø17"	Ø14"	Ø5-3/4"	50-3/4"	62 1/4"	5-3/4"	10-25 kg
EZ BioPac®, 30 GAL, V-FOLD NECK, 6 IN, STRETCH	Ø23"	Ø17"	Ø5-3/4"	57 3/4"	69 1/4"	5-3/4"	20-50 kg
EZ BioPac®, 47 GAL, V-FOLD NECK, 6 IN, STRETCH	Ø26"	Ø20"	Ø5-3/4"	57 3/4"	69-1/4"	5-3/4"	40-100 kg