

Spare Parts for Mobius® Chrom 20 System



MilliporeSigma is the U.S. and Canada Life Science business of Merck KGaA, Darmstadt, Germany.

Spare Parts

To help you select and manage the spare parts required for your system, our experts have performed a risk assessment to determine which parts to keep in stock.

The risk assessment is based on our experience; each customer must perform an individual risk assessment for their process, to check alignment with our strategy, and review the stock requirements accordingly.

As a result of this risk assessment, we defined 3 categories of spare parts:

Type of parts	Description	Stock recommendation
Preventive maintenance parts	These parts are subject to wear and tear and we recommend replacing them on a regular basis. Under average usage conditions, these parts should be replaced at least once per year. A risk assessment based on the specific system usage and production conditions may result in a need to replace some or all of these parts more frequently. Not replacing wear and tear parts as recommended can impact system functionality and may result in system shutdown.	1 part per unit
Critical parts	These parts have been identified as most critical to avoiding system downtime and are recommended to be kept in stock for immediate availability.	1 part per unit
All other parts	All other individual parts.	Risk-based customer decision

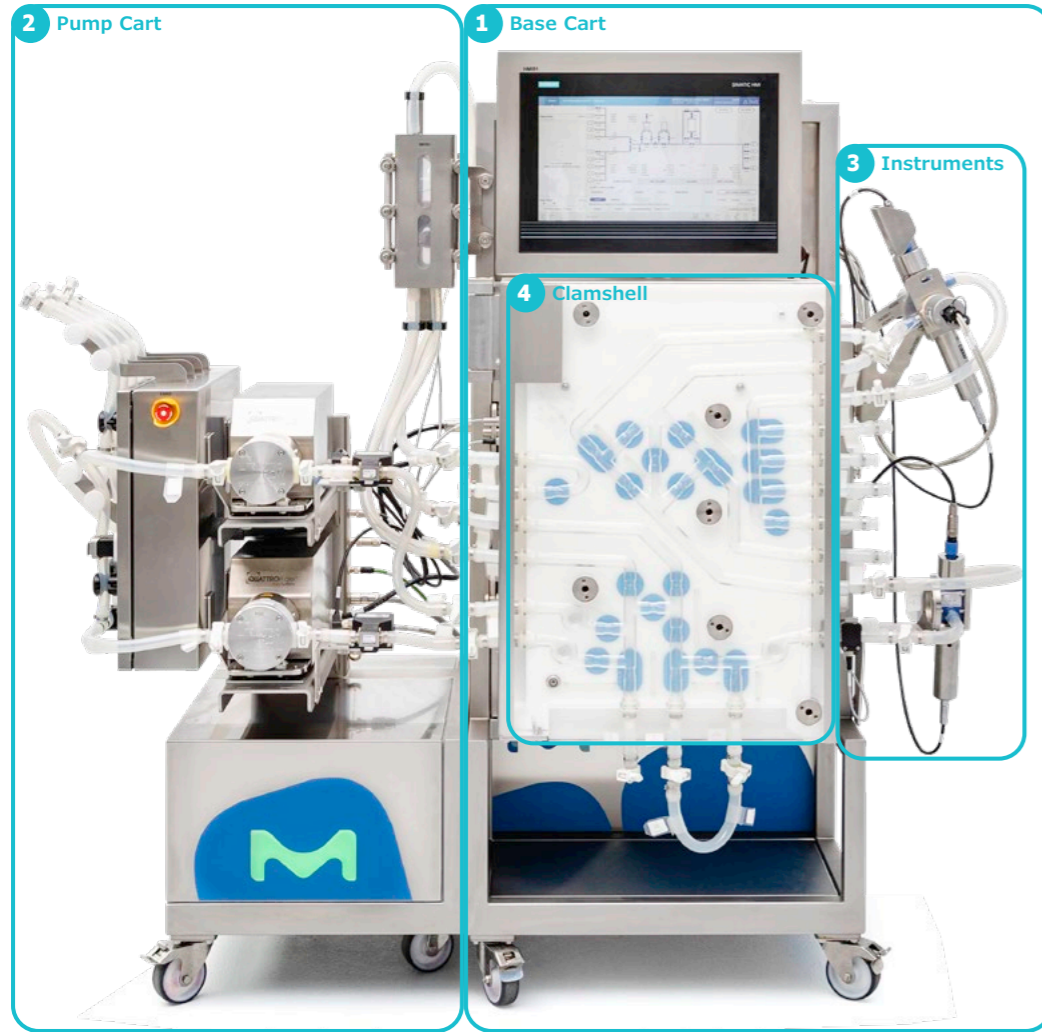
Based on our risk analysis, preventive maintenance and critical spare parts are essential to keep your equipment running. We recommend keeping preventive maintenance and critical spare parts in stock.

For additional information, please visit: EMDMillipore.com/Systems-Services

Ordering information for Mobius® Chrom 20 System Preventive Maintenance kit

PMFXWKITXM20	Quantity
Pump assembly	1
Smart flow path assembly	1
Post-column instrument assembly	1
Pre-column instrument assembly	1
Pump 1 single-use flowmeter assembly	1
Pre-column sensor bypass assembly	1
Pre-column filter bypass assembly	2
Certificate of quality—Flexware® kit for Mobius® Chrom 20 System	1
FlexReady Gamma Bag and Box Label	1

Mobius® Chrom 20 System – Spare Parts List



Item	System part	Catalogue number	Description	Preventive maintenance (PM)* critical**	Field service required for installation and/or set up ***	Frequency
1		SPKMSMTBASE023	Flexready Smart, smart base, set of 5 filter cartridges	PM	Yes	Every 12 months
#2	1	SPKGEN002	ebox fan filter	PM	No	Every 12 months
#3	4	SPKMSMTCS040	Mobius® Chrom 20 clamshell, valve pads kits	PM	No	Every 6 months
#4	2	SPKMSMTPUMP013	Smart, pump qf1200-5, shaft bearing cap unit	PM	Yes	Every 1000h or at least once a year
#5	3	SPKMSMTSEN001	FlexReady Smart UV lamp	PM	No	Every 12 months
#6	4	SPKMSMTBASE015	FlexReady Smart, set of balls and o-rings	PM	No	Every 6 months
#7	5	SPKMSMTBASE038	FlexReady Smart, power supply, 100-230 VAC/ 24 VDC, 10A	Critical	No	As required
#8	5	SPKMSMTBASE025	FlexReady Smart, smart base, PLC CPU with memory card	Critical	Yes	As required
#9	1	SPKMSMTBASE039	FlexReady Smart, I/O modules replacement kit 1	Critical	Yes	As required
#10	5	SPKMSMTBASE040	FlexReady Smart, CUBE67 bus nodes ethernet IP smart base	Critical	Yes	As required
#11	4	SPKMSMTCS037	FlexReady Smart, CUBE67 bus nodes ethernet IP Mobius® Chrom 20 CS	Critical	Yes	As required
#12	5	SPKMSMTBASE041	FlexReady Smart, smart base, PLC power supply	Critical	No	As required
#13	1	please contact us	FlexReady Smart, smart base, HMI	Critical	Yes	As required
#14	5	please contact us	FlexReady Smart, smart base, manageable ethernet switch 8 channel	Other	Yes	As required
#15	1	SPKGEN003	ebox fan	Critical	Yes	As required
#16	3	SPKMSMTBBL001	FlexReady Smart Chrom., bubble trap support, level sensor kit	Critical	Yes	As required
#17	4	SPKMSMTCS038	Mobius® Chrom 20, clamshell, NC/NO pinch valve 5/8"	Critical	No	As required
#18	4	SPKMSMTCS039	Mobius® Chrom 20, clamshell, connector clips kit	Critical	Yes	As required
#19	4	SPKMSMTCS041	Mobius® Chrom 20, clamshell, no PCV pinch valve 5/8"	Critical	Yes	As required
#20	4	SPKMSMTCS022	FlexReady Smart XMO, clamshell, valve terminal MPA	Critical	Yes	As required
#21	4	SPKMSMTCS024	FlexReady Smart, clamshell, control valve kit	Critical	Yes	As required
#22	4	SPKMSMTCS025	FlexReady Smart, clamshell, pressure transmitter and switch kit	Critical	Yes	As required
#23	4	SPKMSMTCS026	FlexReady Smart, clamshell, pressure transmitter	Critical	No	As required
#24	5	SPKMSMTPCART006	FlexReady Smart, pump skid, power supply, 100-240 VAC/ 48 VDC, 12.5A	Critical	No	As required
#25	3	SPKMSMTPCART008	FlexReady Smart, pumps, cable for pump 1200S	Critical	No	As required
#26	2	SPKMSMTPCART009	FlexReady Smart, pumps, pump 1200S kit	Critical	No	As required
#27	2	SPKMSMTFLW007	FlexReady Smart, flowmeters, flowmeter cable	Critical	No	As required
#28	2.5	SPKMSMTFLW011	Mobius® Chrom 20, flowmeters, flowmeter converter kit	Critical	No	As required
#29	2	SPKMSMTFLW012	Mobius® Chrom 20, flowmeters, flowmeter kit	Critical	No	As required
#30	2	SPKMSMTFLW013	Mobius® Chrom 20, single-use flowmeter mechanical spare kit	Critical	Yes	As required
#31	2	SPKMSMTMNFLD006	FlexReady Smart XMO, manifold, valve terminal MPA	Critical	Yes	As required
#32	2	SPKMSMTMNFLD013	FlexReady Smart XMO, manifold, pneumatic valve kit	Critical	Yes	As required
#33	1	SPKMSMTTMR001	FlexReady Smart, converter C8480 kit	Critical	Yes	As required
#34	1	SPKMSMTTMR003	FlexReady Smart, instrumentation cables kit	Critical	No	As required
#35	3	SPKMSMTSEN003	Dual beam 280-300 nm UV sensor	Critical	No	As required
#35	3	SPKCBS000INS018	Dual beam 254-280 nm UV sensor	Critical	No	As required
#35	3	SPKCBS000INS025	Single beam 280 nm UV sensor	Critical	No	As required
#36	3	SPKMSMTSEN007	FlexReady Smart Chrom., pH probe	Critical	Yes	As required
37		SPKMSMTGEN008	FlexReady Smart, I/O modules replacement kit 2	Critical	Yes	As required
#38	5	SPKMSMTBASE044	Gateway	Critical	No	As required
#39	1	SPKMSMTBASE036	FlexReady Smart, smart base, HMI gaz module	Other	Yes	As required
#40	1	SPKMSMTBASE037	FlexReady Smart, smart base, HMI bearing and cap	Other	Yes	As required
#41	1.2	SPKGEN001	Lighting M	Other	No	As required
#42	2	SPKMSMTPCART010	FlexReady Smart, pumps, mechanical spare kit	Other	No	As required
43		SPKMSMTMNFLD004	FlexReady Smart, manifold, air supply kit	Other	No	As required
44		SPKMSMTGEN006	FlexReady Smart, electrical components kit	Other	Yes	As required
45		SPKMSMTGEN007	FlexReady Smart, interconnection cables kit	Other	No	As required
46		SPKMBPWCC	Power cord Mobius® Chrom 20 CH	Other	No	As required
47		SPKMBPWCEU	Power cord Mobius® Chrom 20 EU	Other	No	As required
48		SPKMBPWJJP	Power cord Mobius® Chrom 20 JP	Other	No	As required
49		SPKMBPWCKR	Power cord Mobius® Chrom 20 KR	Other	No	As required
50		SPKMBPWNA	Power cord Mobius® Chrom 20 NA	Other	No	As required
51		SPKMBPWCUK	Power cord Mobius® Chrom 20 UK	Other	No	As required
52		SPKMBPWCCN	Power cord Mobius® Chrom 20 CN	Other	No	As required

Note: # means that the part is illustrated on the drawing.

* Preventive Maintenance (PM) parts are subject to wear and tear. Under average usage conditions, they should be replaced at least once per year.

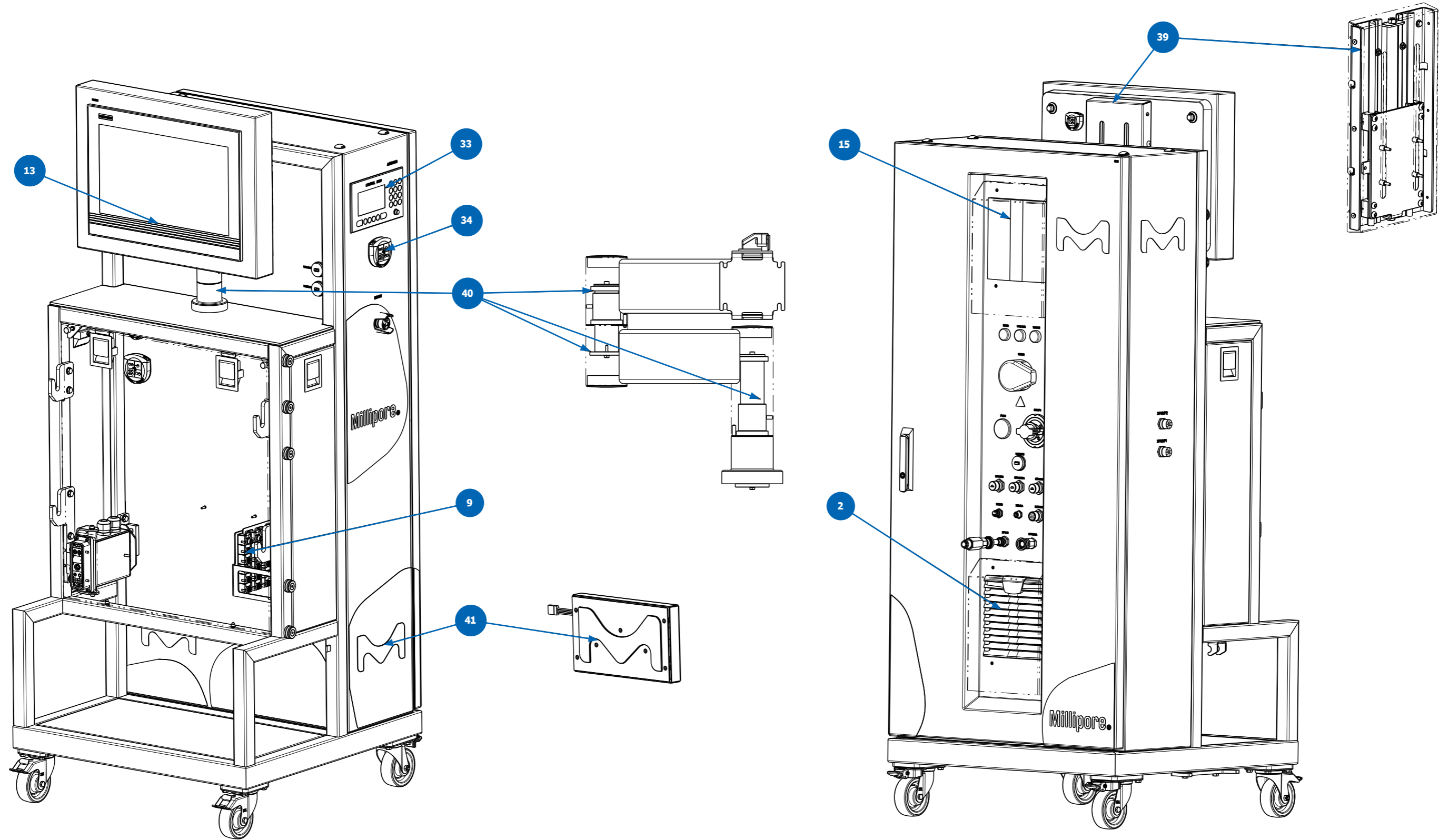
A risk assessment based on the specific system usage and production conditions may indicate replacement of some or all of these parts more frequently.

** Critical parts have been identified as most critical to avoiding system downtime and are recommended to be kept in stock for immediate availability.

*** Replacement and/or set up need to be made by a trained technician.

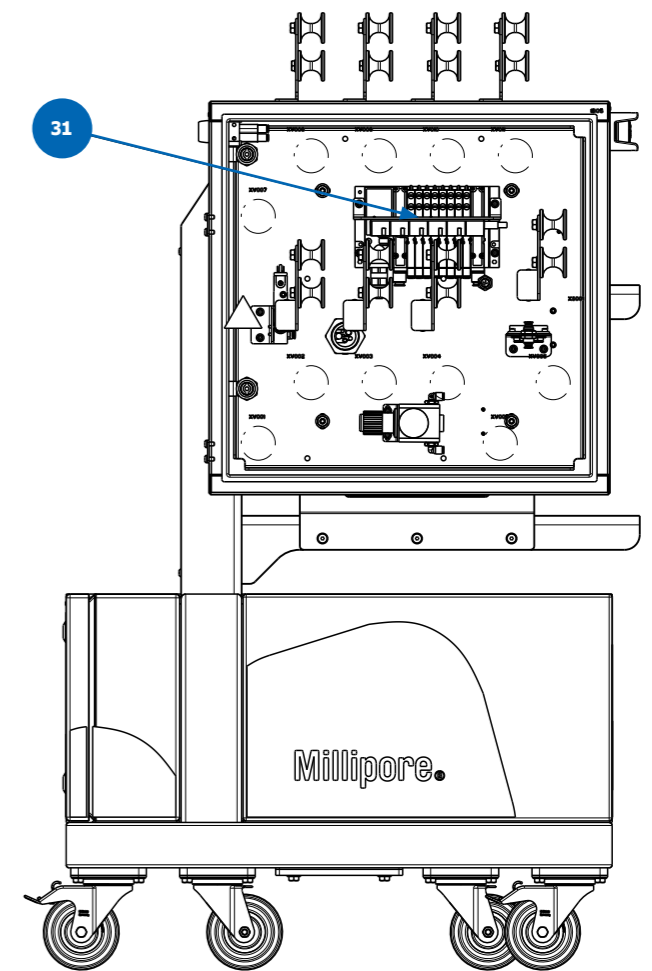
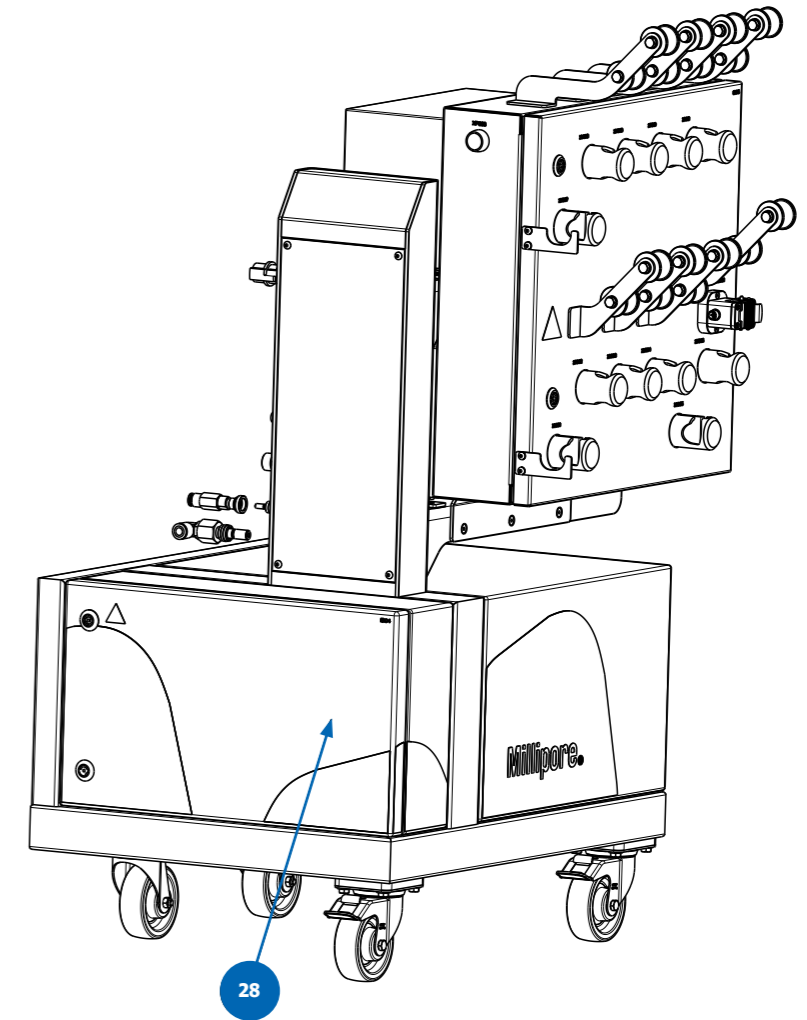
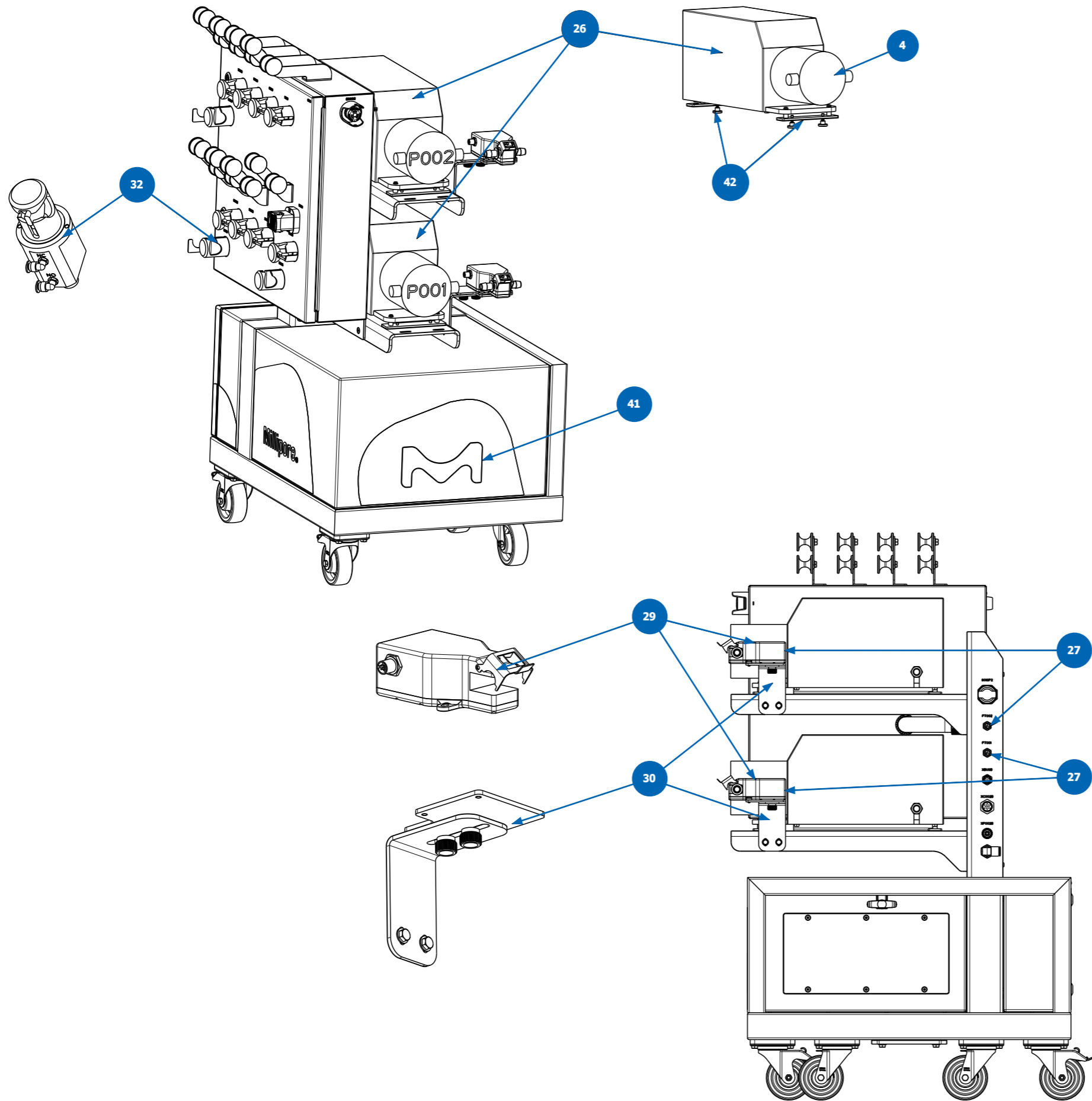
Mobius® Chrom 20 System – Spare Parts List

1 Exploded view Base Cart



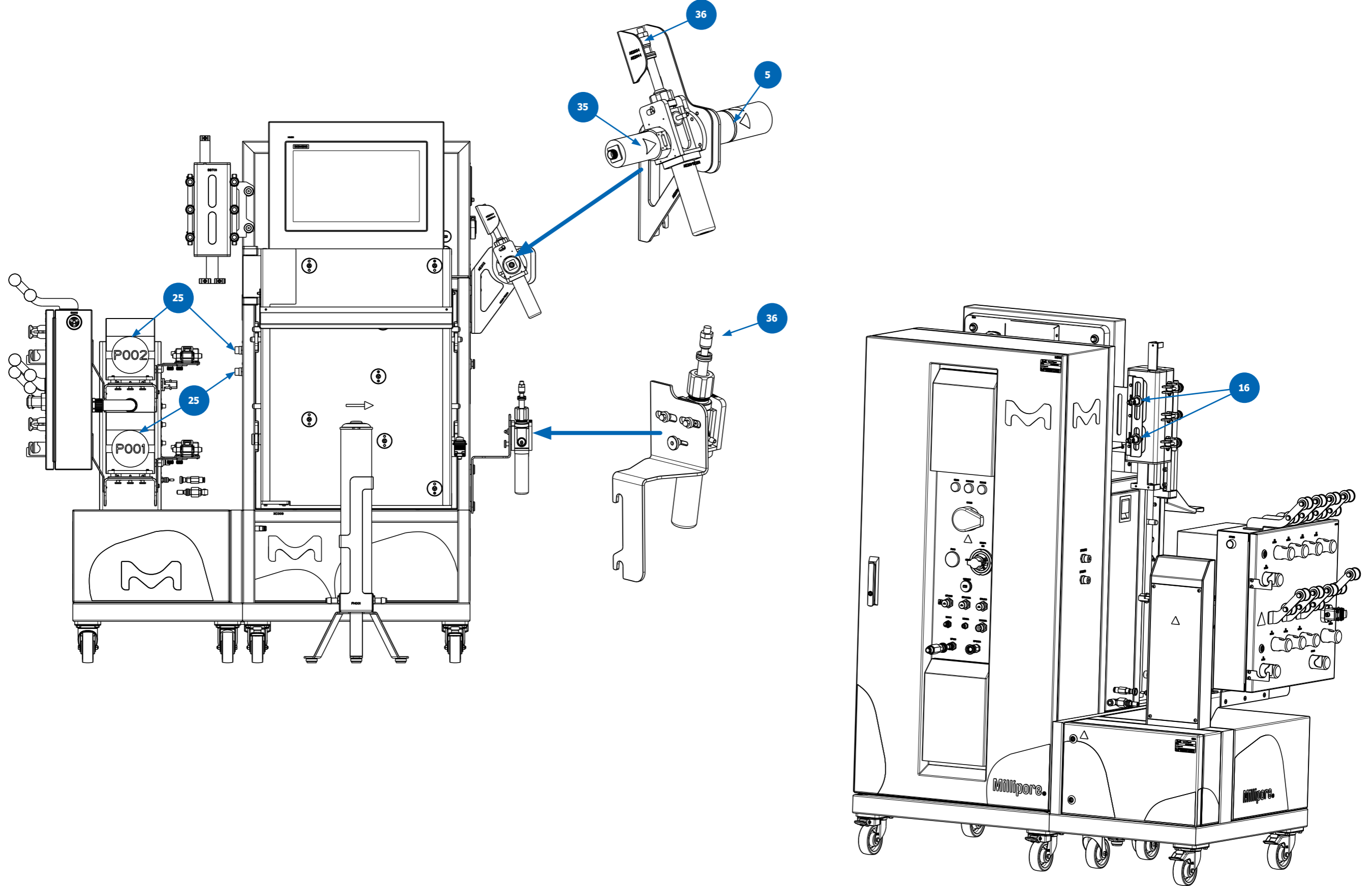
Mobius® Chrom 20 System – Spare Parts List

2 Exploded view Pump Cart



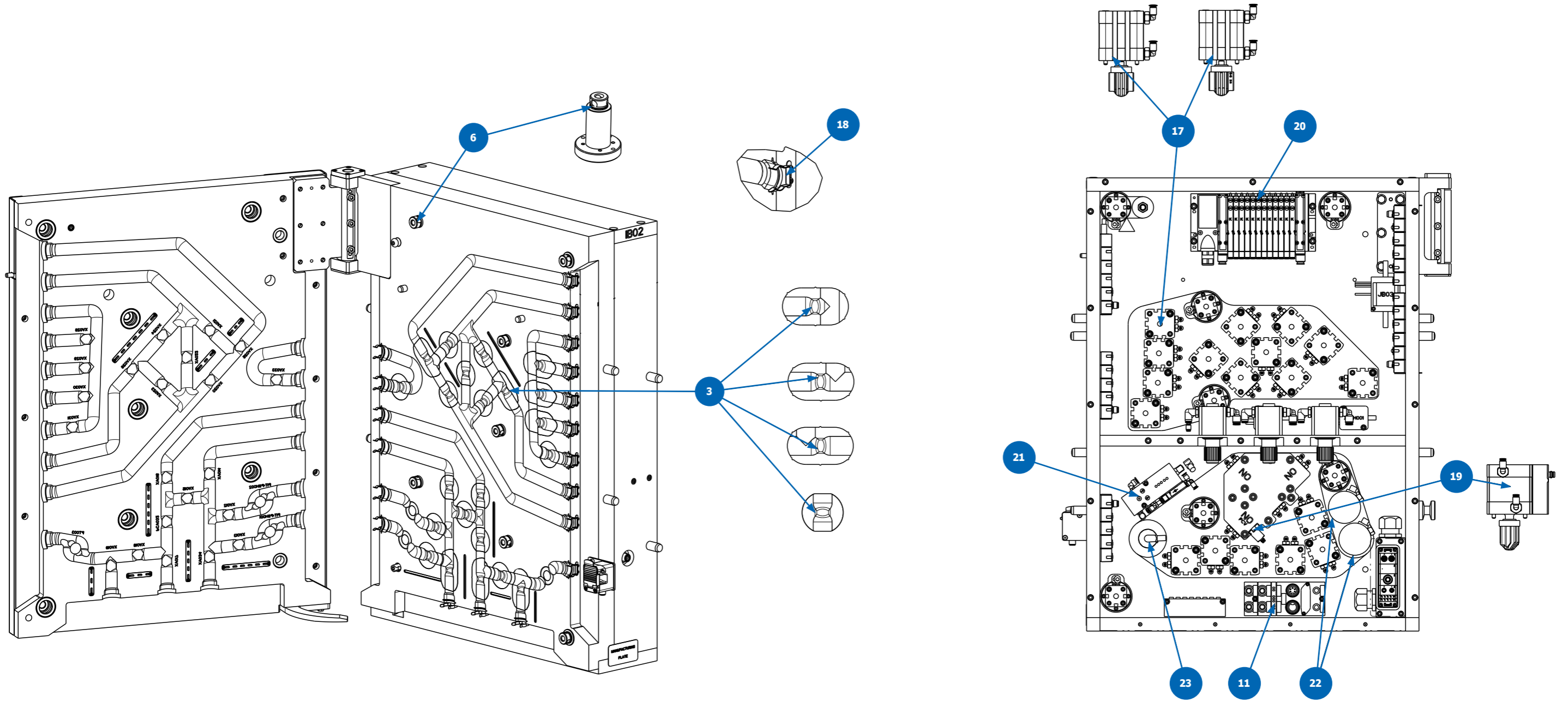
Mobius® Chrom 20 System – Spare Parts List

3 Exploded view Instruments



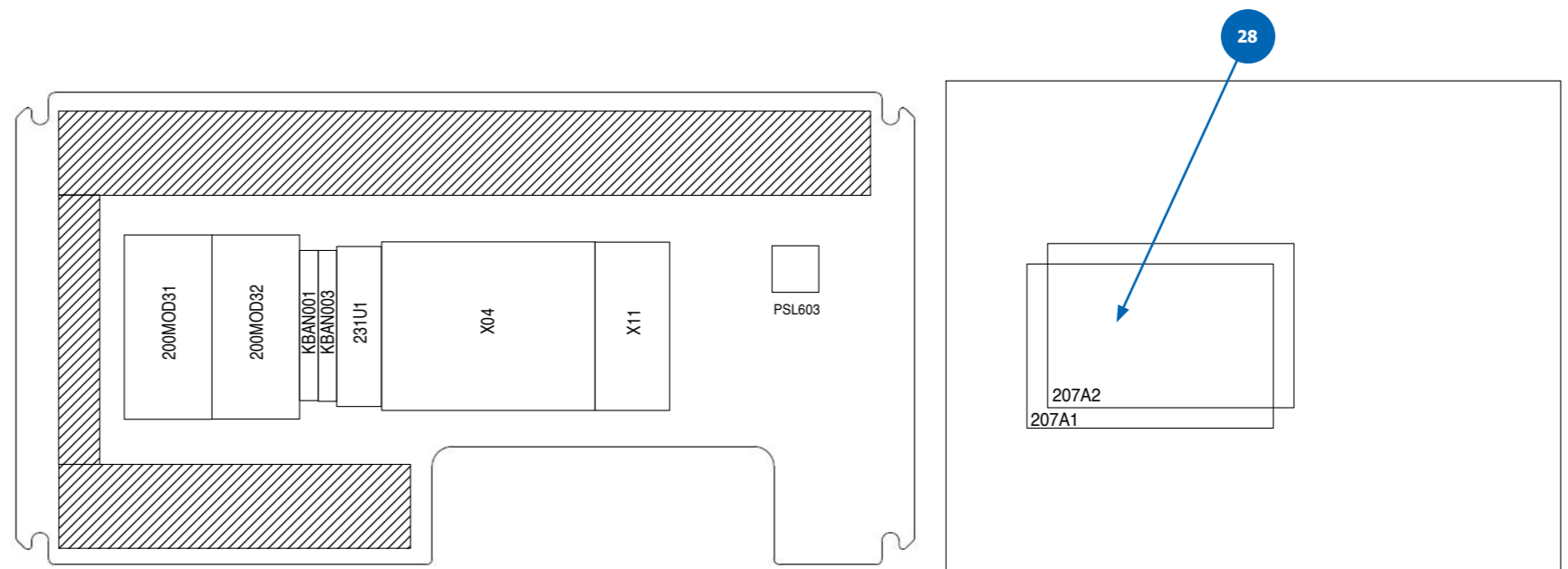
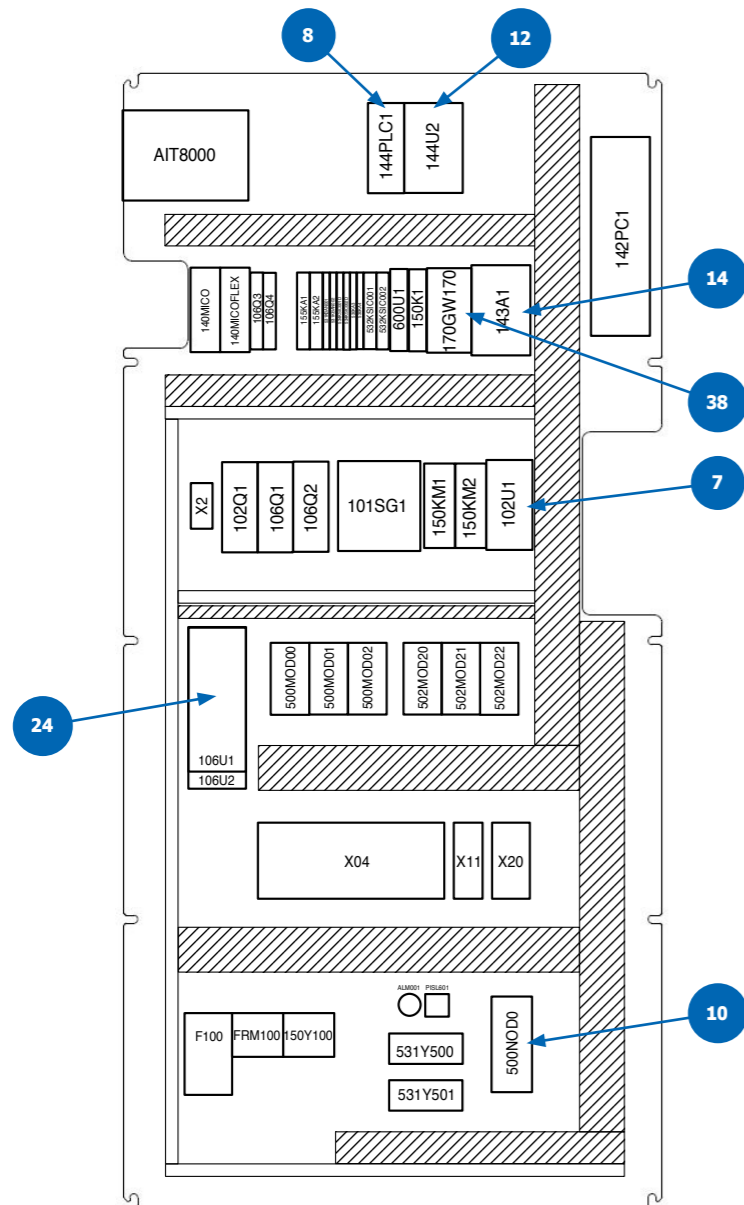
Mobius® Chrom 20 System – Spare Parts List

4 Exploded view Clamshell



Mobius® Chrom 20 System – Spare Parts List

5 Electric parts



For more information on services and spare parts, please visit EMDMillipore.com/Systems-Services

