

Spare Parts List

Mobius® TFF 80 System

Table of contents

Spare parts list	3-4
Base cart.....	5
Base cart electrical box.....	6
Clamshell.....	7
Tank cart 200 L.....	8
Tank cart 500 L.....	9
Tank cart electrical box.....	10
Instruments.....	11
Cassette holder.....	12



MilliporeSigma is the U.S. and Canadian Life Science business of Merck KGaA, Darmstadt, Germany.

Spare Parts

To help you select and manage the spare parts required for your system, our experts have performed a risk assessment to determine which parts to keep in stock.

The risk assessment is based on our experience; each customer must perform their individual risk assessment for their process, to check the alignment with our strategy and review the stock requirements accordingly.

As a result of this risk assessment, we defined 3 categories of spare parts:

Type of parts	Description	Stock recommendation
Preventive maintenance parts	These are parts that are subject to wear and tear and that we recommend replacing on a regular basis. Under average usage conditions, these parts should be replaced at least once per year. A risk assessment based on the specific system usage and production conditions may result in a requirement to replace some or all of these parts more frequently. Not replacing wear and tear parts as recommended can impact system functionality and may result in system shutdown.	1 part per unit
Critical parts	These parts have been identified as most critical to avoiding system downtime and are recommended to be kept in stock for immediate availability.	1 part per unit
All other parts	All other individual parts.	Risk-based customer decision

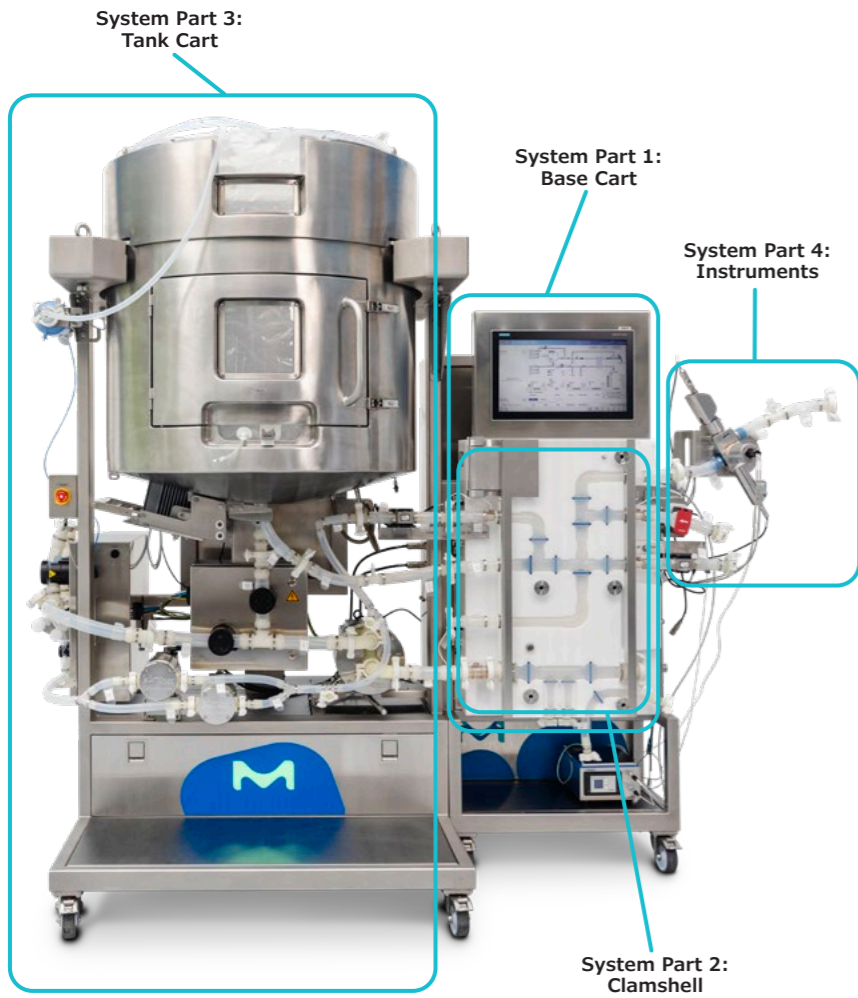
Based on our risk analysis, preventive maintenance and critical spare parts are essential to keep your equipment running. We recommend keeping preventive maintenance and critical spare parts in stock.

For additional information, please visit: sigmaaldrich.com

Ordering information for preventive maintenance Flexware® assemblies kit.

Catalogue Number	PMFXWKITTF80	PMFXWKITTF80PMP	PMFXWKITTF802	PMFXWKITTF805
Description	Mobius® TFF 80 system Flexware® assembly maintenance base kit	Mobius® TFF 80 system Flexware® assembly maintenance pump kit	Mobius® TFF 80 system Flexware® assembly maintenance 200 L kit	Mobius® TFF 80 system Flexware® assembly maintenance 500 L kit
Comment	Base kit	Pump kit	Kit for 200L	Kit for 500 L
Kit Content	TFF80FEEDIN	DISPUMP3	TFF80PM200LSMP	TFF80PM500LSMP
	TFF80TRANFW	DISPUMP2 (2x)	TFF80FEEDLN	TFF80FEEDLN
	TFF80PMTRANM	TFF80PMTRANLN	TFF80CSFEED	TFF80CSFEED
	TFF80CMSBYPASS		TFF80CSRET	TFF80CSRET
	TFF80PMLINE (2x)		TFF80RETSMP	TFF80RETSMP
			TFF80FILTSUC1	TFF80FILTSUC1

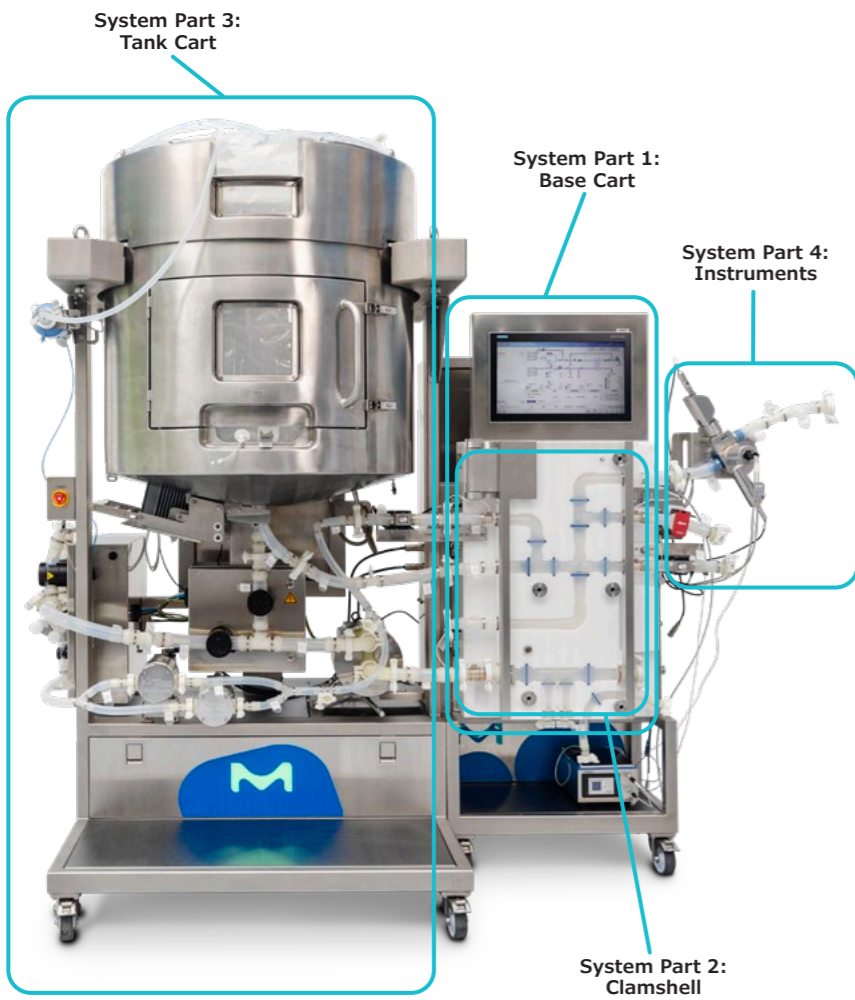
Note: Please order one base kit and one pump kit and the corresponding kit to your tank size (200 L or 500 L)



Item	System Part	Catalogue Number	Description	PM/ Critical/ Other	Field service required*	Frequency
1		SPKMBSMTBASE023	Smartbase, set of 5 air filter cartridges	PM	For installation	Every 12 months
#2	1	SPKGEN002	Ebox fan filter	PM	No	Every 12 months
#3	4	SPKMBSMTSEN001	UV lamp	PM	No	Every 12 months
#4	2	SPKMBSMTBASE015	Set of balls and o-rings	PM	No	Every 6 months
#5	3	SPKMBSMTPUMP013	Smart, pump QF1200-5, shaft bearing cap unit	PM	For installation	Every 1000 h or at least once a year
#6	3	SPKGENPMP006	Pump QF4400-HT-6 shaft bearing cap unit	PM	For installation	Every 1000 h or at least once a year
#7	3	SPKGENELC018	Rittal ebox fan filter SK 3238.200	PM	No	Every 12 months
#8	1	SPKMBSMTBASE038	Power supply, 100-230 VAC/24 VDC, 10 A	Critical	No	As required
#9	1	SPKMBSMTBASE025	Smartbase, PLC CPU with memory card	Critical	For installation and set-up	As required
#10	1/3	SPKMBSMTBASE039	I/O modules replacement kit 1	Critical	For installation	As required
#11	1/2/3	SPKMBSMTGEN008	I/O modules replacement kit 2	Critical	For installation	As required
#12	2/3	SPKMBSMTBASE026	I/O modules replacement kit 1	Critical	For installation	As required
#13	1	SPKMBSMTBASE041	Smartbase, PLC power supply	Critical	No	As required
#14	1	Please contact us	Mobius® TFF 80 system HMI	Critical	For installation	As required
#15	1	Please contact us	Mobius® TFF 80 system Manageable Switch	Critical	For installation	As required
#16	1	SPKGEN003	Ebox fan	Critical	For installation	As required
#17	1	SPKMBSMTPCART006	Pump skid, power supply, 100-240 VAC/48 VDC, 12.5 A	Critical	No	As required
#18	1	SPKMBSMTBASE044	Gateway	Critical	No	As required
#19	1	SPKMBTFFAUT001	Mobius® TFF 80 system CUBE67 BUS node Base cart	Critical	For installation	As required
#20	1	SPKMBSMTBASE036	Smartbase, HMI gaz module	Other	For installation	As required
#21	1	SPKMBSMTBASE037	Smartbase, HMI bearing & cap	Other	For installation	As required
#22	1/3	SPKGEN001	Lightning M	Other	No	As required
#23	3	SPKMBSMTMNFLD004	Manifold air supply kit	Other	No	As required
#24	1	SPKMBSMTGEN006	Electrical components kit	Other	No	As required
25		SPKMBSMTGEN007	Interconnection cables kit	Other	No	As required
26		SPKMBPWCCCH	Power cord CH	Other	No	As required
27		SPKMBPWCEU	Power cord EU	Other	No	As required
28		SPKMBPWJCJP	Power cord JP	Other	No	As required
29		SPKMBPWCKR	Power cord KR	Other	No	As required
30		SPKMBPWANA	Power cord NA	Other	No	As required
31		SPKMBPWCUK	Power cord UK	Other	No	As required
32		SPKMBPWCCN	Power cord CN	Other	No	As required
#33	2	SPKMBTFFAUT002	Mobius® TFF 80 system CUBE67 BUS node Clamshell	Critical	For installation	As required
#34	2	SPKMBSMTCS029	Precision pressure regulator	Critical	For installation and set-up	As required
#35	2	SPKMBTFFVLV001	Clamshell NC/NO pinch valve 5/8 in	Critical	For installation	As required
#36	2	SPKMBTFFVLV002	Clamshell NC/NO pinch valve 1 in	Critical	For installation	As required
#37	2	SPKMBTFFVLV003	Clamshell NC/NO pinch valve 1-1/4 in	Critical	For installation	As required
#38	2	SPKMBTFFVLV004	Clamshell NC/NO pinch valve 3/4 in	Critical	For installation	As required
#39	2	SPKMBTFFVLV005	Clamshell NC/NO PCV pinch valve 1 in	Critical	For installation	As required
#40	2	SPKMBTFFVLV006	FESTO air solenoid valve 575271	Critical	For installation	As required
#41	2/3	SPKMBSMTCS024	Clamshell, control valve kit	Critical	For installation	As required
42		SPKMBSMTFLW007	Flowmeter cable	Critical	No	As required
#43	2	SPKGENINS018	Krohne Flexmag 4050C 3/4 to 1 in Qmax 100 Lpm	Critical	No	As required
#44	2	SPKGENINS010	Pendotech® PT-75 transmitter	Critical	No	As required

Means that the part is illustrated

* Replacement and/or setup need to be made by a trained technician



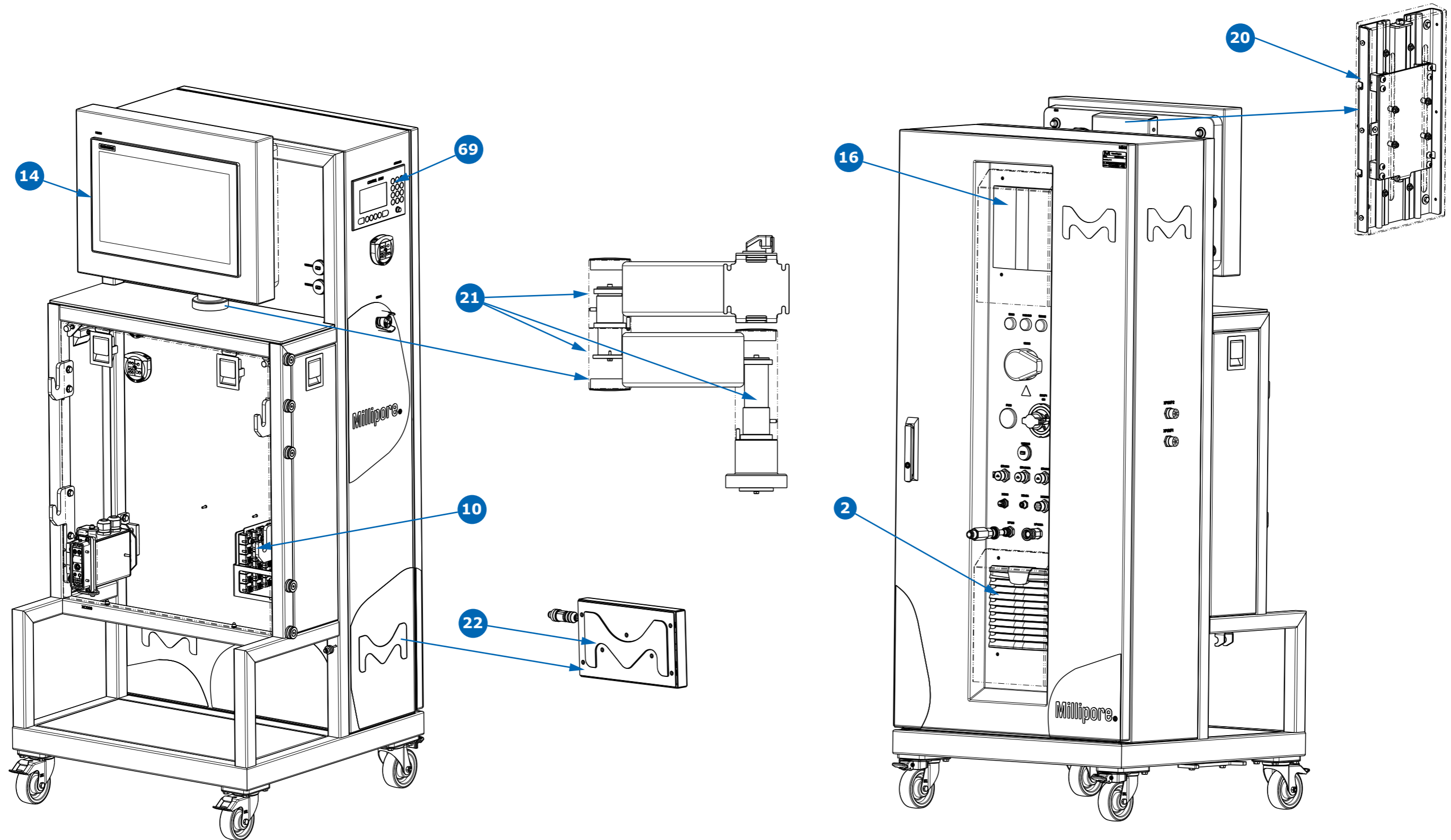
Item	System Part	Catalogue Number	Description	PM/ Critical/ Other	Field service required*	Frequency
#45	2	SPKGENELC017	PR pressure transmitter w/ display	Critical	For installation and set-up	As required
#46	2	SPKGENINS019	Emtec Clamp-On sensor 1 x 3/16 in	Critical	No	As required
#47	3	SPKGENELC019	Rittal ebox fan SK 3238.124	Critical	For installation	As required
#48	3	SPKGENELC020	Danfoss VLT FC-302P5K5T5 3 x 380 V VFD	Critical	For installation and set-up	As required
#49	3	SPKGENELC021	Danfoss VLT FC-302P7K5T2 3 x 200 V VFD	Critical	For installation and set-up	As required
#50	3	SPKGENELC022	Murr 100-240 VAC/24 VDC 5 A Power supply	Critical	No	As required
#51	3	SPKGENELC023	Phoenix 100-240 VAC/48 VDC 10 A Power supp	Critical	No	As required
#52	3	SPKMBSMTTANK024	Mixer controler LPC-600-3	Critical	For installation	As required
#53	3	SPKMBTFFTNK001	Levitronix® mixer controler LC325P	Critical	For installation	As required
#54	3	SPKMBSMTTANK023	Motor 600 W for agitator LPM-600-3 48 V	Critical	For installation	As required
#55	3	SPKGENTNK001	Levitronix® 1200 W mixer motor BSM-4.7-05	Critical	For installation	As required
#56	3	SPKGENINS020	Mettler Toledo ACT350 PDX ethernet/IP	Critical	For installation and set-up	As required
#57	3	SPKGENINS021	Mettler Toledo module SLB615D 220 kg C3 M12	Critical	For installation	As required
#58	3	SPKGENINS022	Mettler Toledo module SLB615D 550 kg C3 M12	Critical	For installation	As required
#59	3	SPKMBTFFPNE001	TFF valve terminal MPA tank cart M5	Critical	For installation	As required
#60	3	SPKMBTFFPNE002	TFF valve terminal MPA tank cart M3	Critical	For installation	As required
#61	3	SPKMBSMTMNFLD013	Manifold, pneumatic valve kit	Critical	For installation	As required
#62	3	SPKGENVLV007	Acro pneumatic pinch valve 936 w/ sensor	Critical	For installation and set-up	As required
#63	3	SPKGENVLV008	Acro PNP sensor for pinch valve 936	Critical	For installation and set-up	As required
#64	3	SPKGENINS015	Hamilton® Arc Module SU pH1	Critical	No	As required
#65	3	SPKGENINS016	Hamilton® Arc Module SU pH2	Critical	No	As required
#66	3	SPKGENINS023	Pendotech® PT-2 transmitter	Critical	No	As required
#67	3	SPKHW000016	Temperature sensor 1 x PT100, M12 base—JUMO	Critical	No	As required
68		SPKGENELC024	TCU cable for lauda integral T & variocool	Critical	No	As required
#69	1/4	SPKMBSMTTMTR001	Converter C8480 kit	Critical	For installation and set-up	As required
70		SPKMBSMTTMTR003	Instrumentation cables kit	Critical	No	As required
#71	4	SPKCBS000INS018	Dual beam 254-280 nm UV sensor	Critical	No	As required
#72	4	SPKMBSMTSEN007	multi-use pH probe	Critical	No	As required
#73	5	SPKPEHCYLHHP	Hydraulic cylinder 3.5" stroke	Other	For installation	As required
#74	5	SPKPEHP202HHP	Lightweight hand pump Enerpac P202	Other	For installation	As required
#75	5	SPKPEHHTIROFL	FCUF-2530 : schell for hydraulic tie rod	Other	No	As required
76		SPKPEHOIL	Hydraulic oil viscosity 32 with USDA-H1	PM	For installation	Every 12 months
#77	5	MP0DCRKN0B	Clamp rod knob	Other	No	As required
#78	5	SPKGENINS024	Bourdon MEX-D50K35 pressure gauge	Other	For installation	As required
#79	5	SPKMBTFFHLD001	CMS holder linear bearing kit	Critical	No	As required
#80	5	SPKMBTFFHLD002	CMS holder guiding rod support	Other	No	As required
#81	5	SPKMBTFFHLD003	Pellicon 2 gaskets 10-pack	Other	No	As required

Means that the part is illustrated

* Replacement and/or setup need to be made by a trained technician

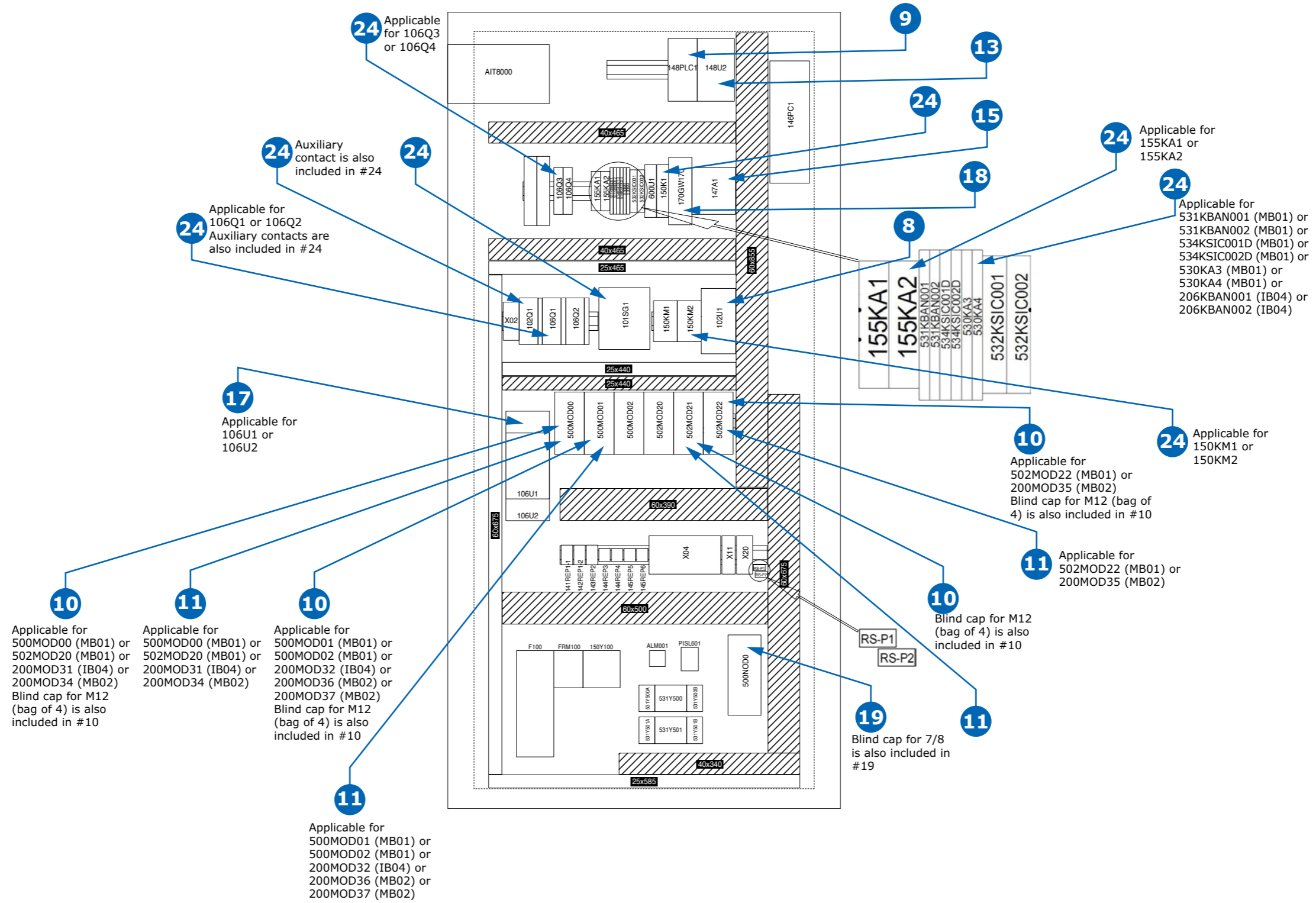
Mobius® TFF 80 System—Spare Parts List

Base cart



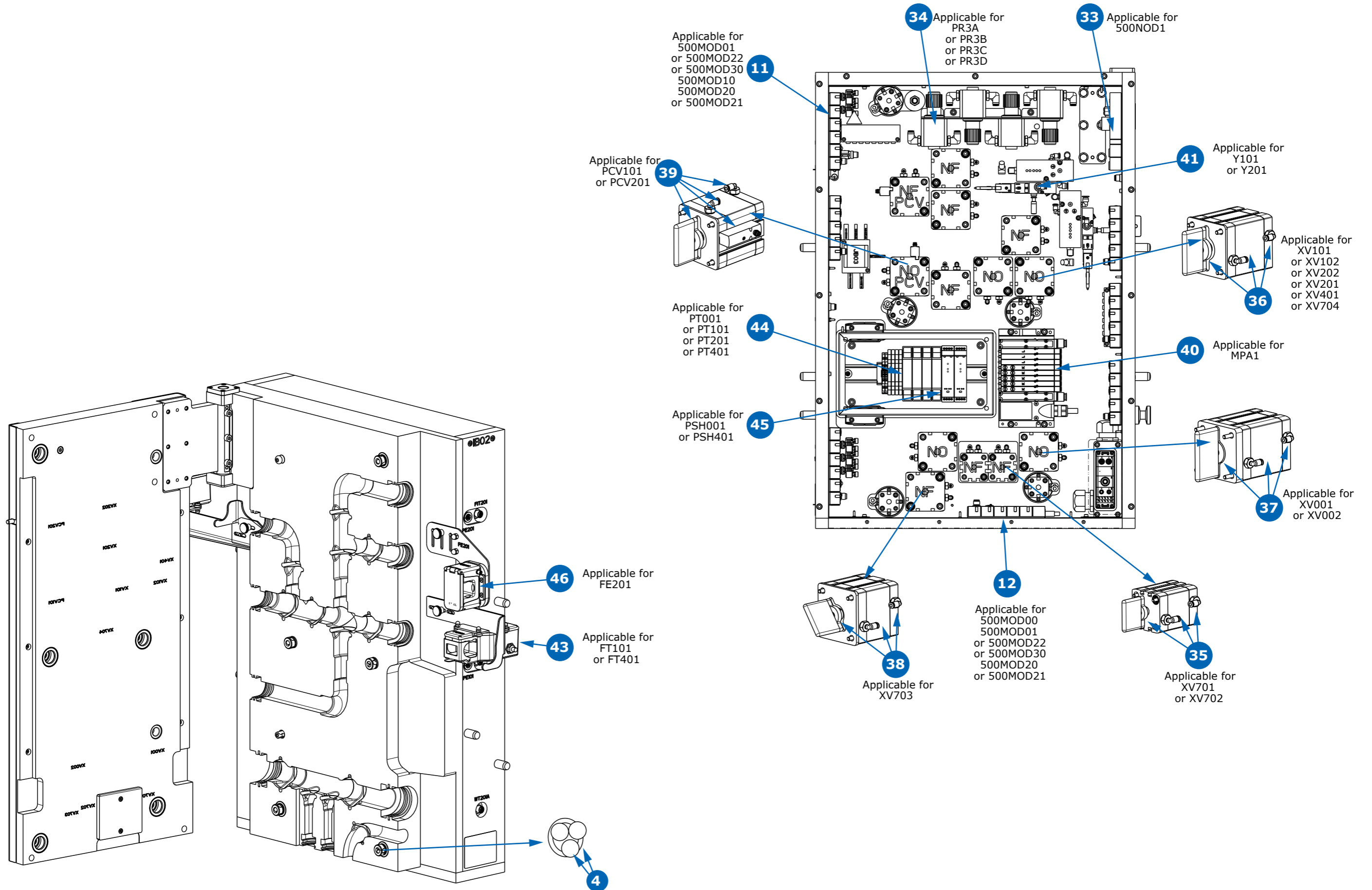
Mobius® TFF 80 System—Spare Parts List

Base cart—electrical box



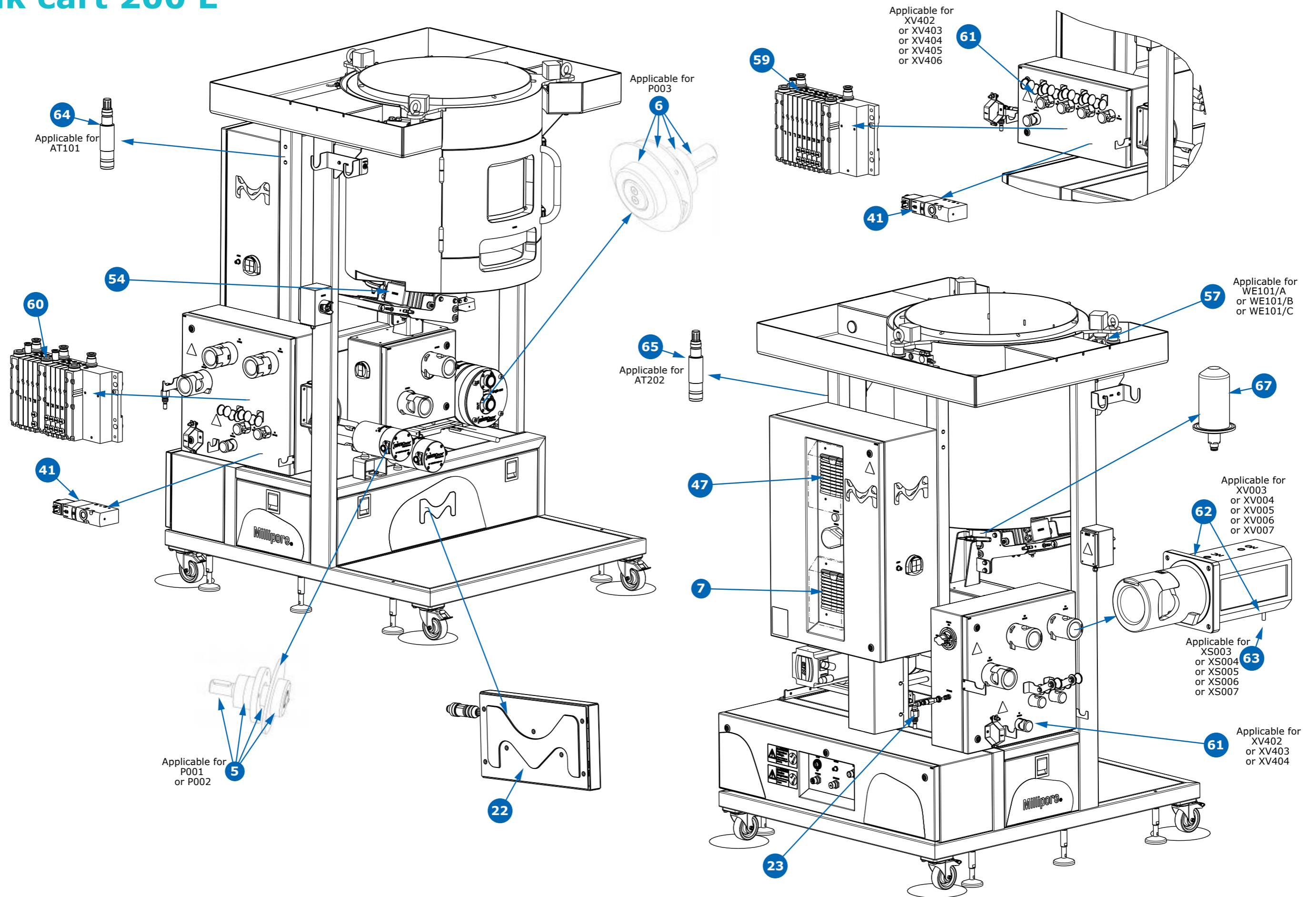
Mobius® TFF 80 System—Spare Parts List

Clamshell



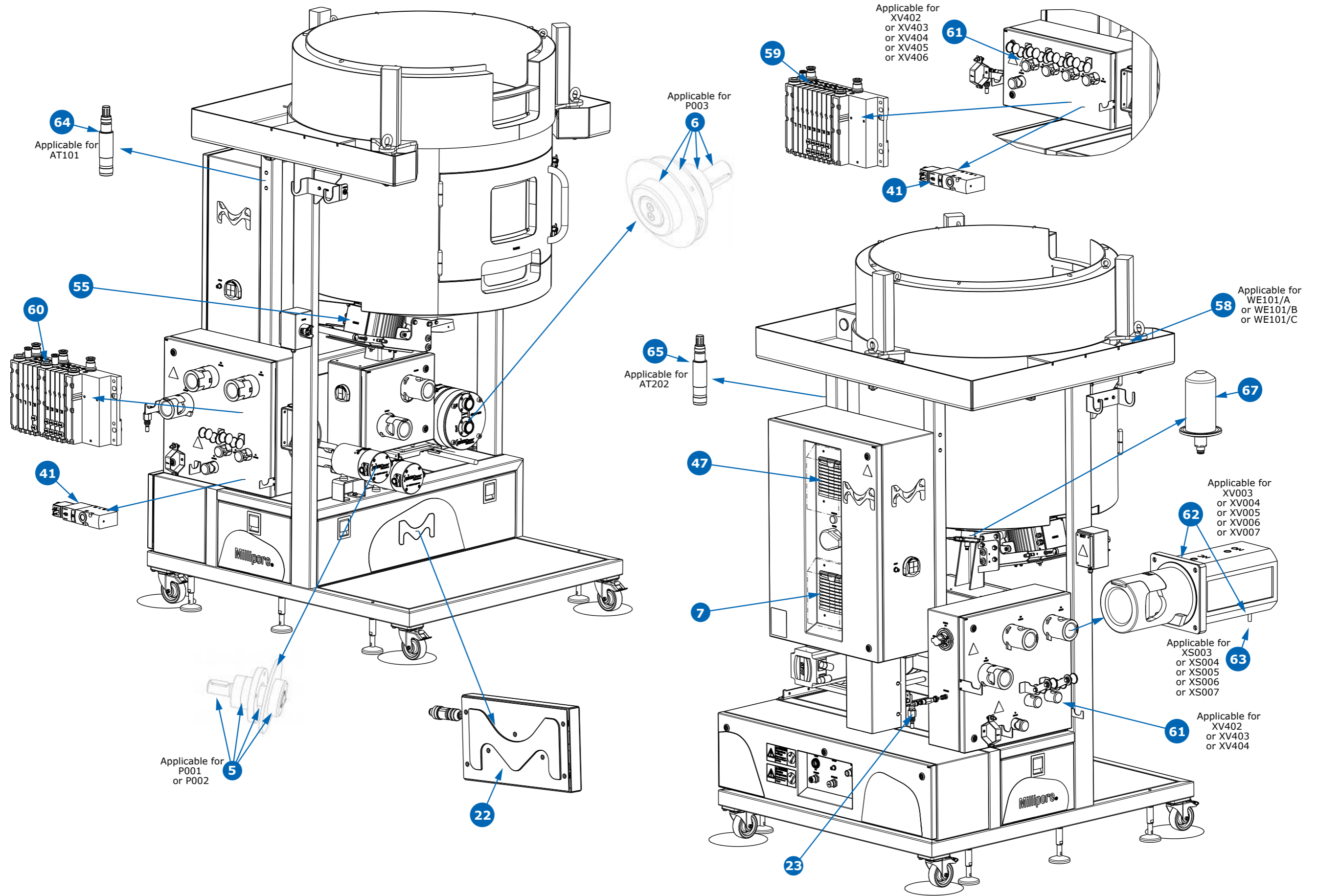
Mobius® TFF 80 System—Spare Parts List

Tank cart 200 L



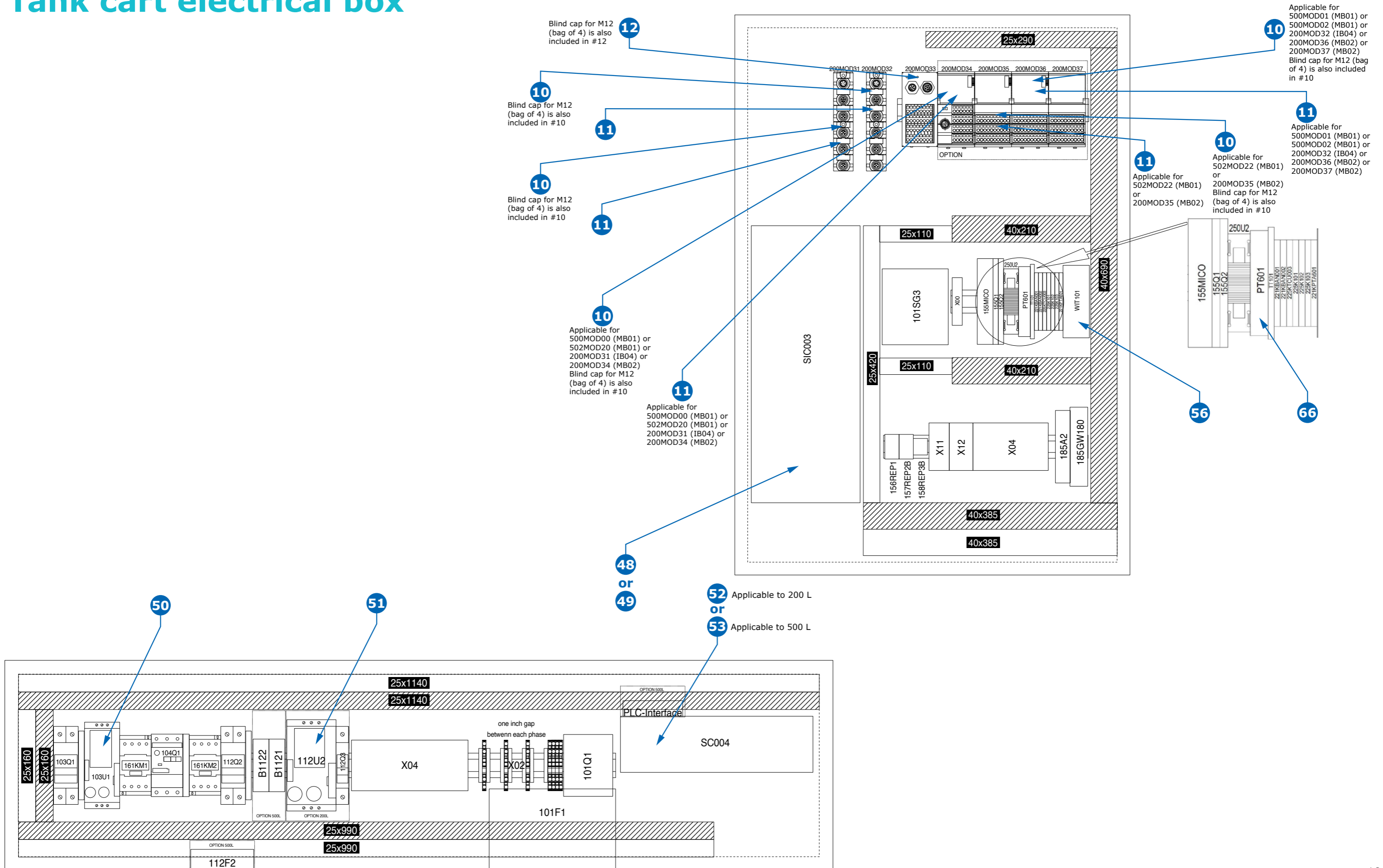
Mobius® TFF 80 System—Spare Parts List

Tank Cart 500 L



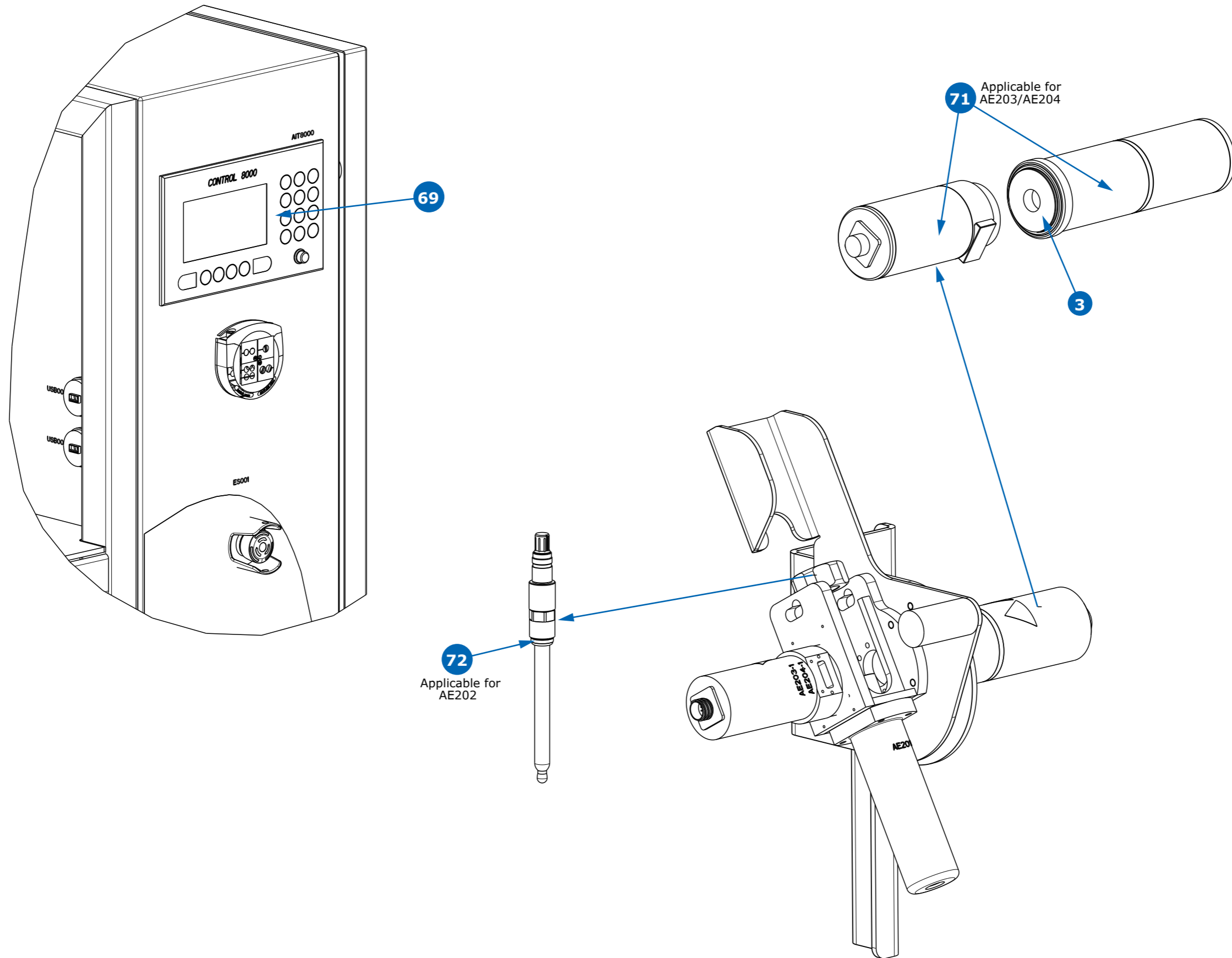
Mobius® TFF 80 System—Spare Parts List

Tank cart electrical box



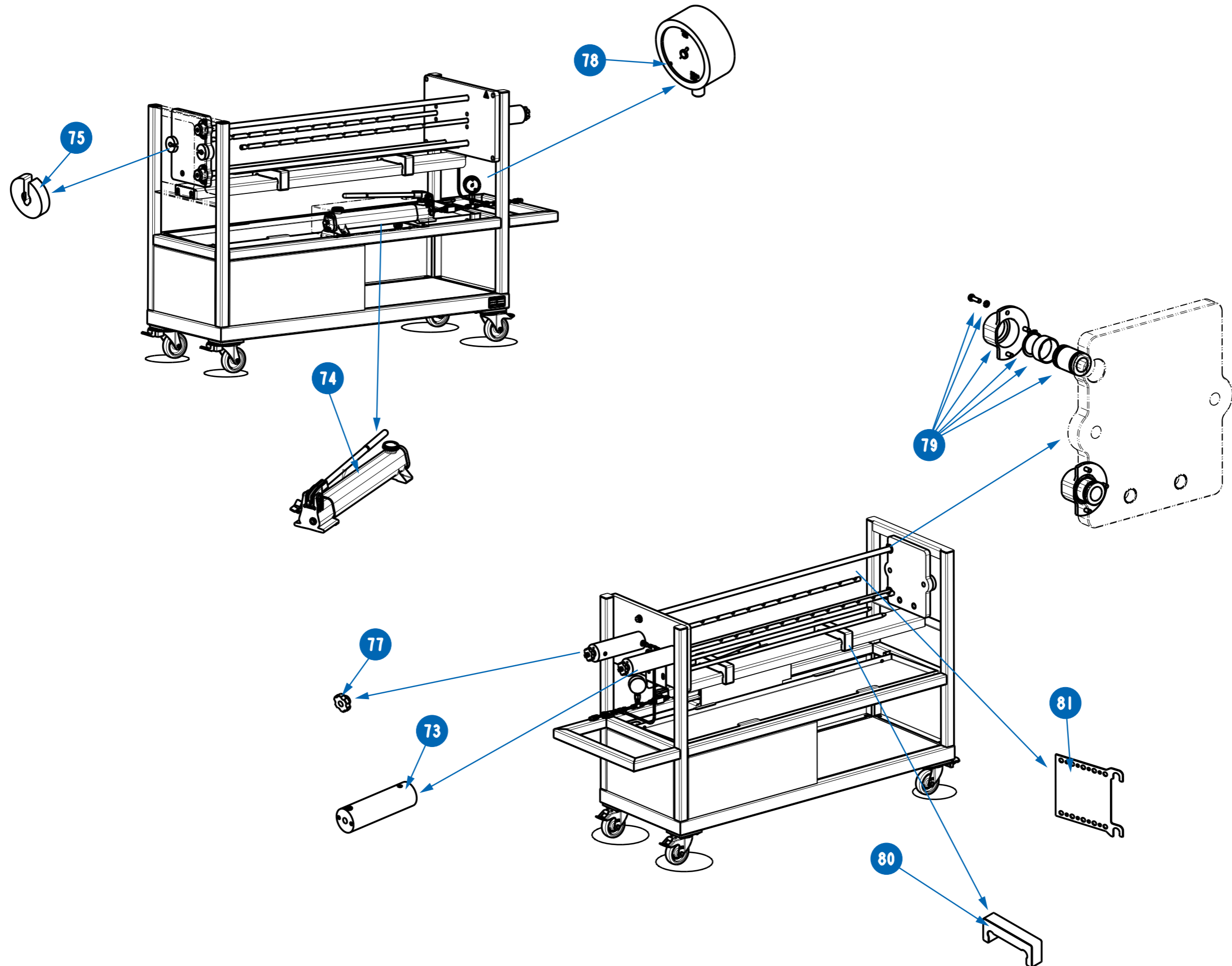
Mobius® TFF 80 System—Spare Parts List

Instruments



Mobius® TFF 80 System—Spare Parts List

Cassette holder



For more information, please visit
www.sigmaaldrich.com/TFF-systems

